

In Car Video

IVSC-5501

Operating and installation instructions



 **BLAUPUNKT**

General	12
Accessories	12
Installation and safety notices	12
Supplied equipment	13
Installation	13
Connection diagram	17
Features	19
Specifications	19

SAFETY INFORMATION

General

Thank you for deciding to use a Blaupunkt product. We hope you enjoy using this new piece of equipment.

Please read these operating instructions before using the equipment for the first time.

The Blaupunkt editors are constantly working on making the operating instructions clearer and easier to understand. However, if you still have any questions on how to operate the equipment, please contact your dealer or the telephone hotline for your country. You will find the telephone numbers printed at the back of this booklet.

We provide a manufacturer guarantee for our products bought within the European Union. You can view the guarantee conditions at **www.blaupunkt.de** or ask for them directly at:

Blaupunkt GmbH
Hotline CM/PSS 6
Robert Bosch Str. 200
D-31139 Hildesheim

Accessories

We recommend you use accessories that have been approved by Blaupunkt.

Installation and safety notices

Before connecting your signal converter, please read the following information carefully.

The battery's negative terminal must remain disconnected whilst you are installing and connecting the unit.

Whilst doing so, you must observe the vehicle manufacturer's safety notices (airbags, alarm systems, trip computers, immobilizers).

Before drilling any holes, you must make sure that no installed cables or vehicle components can be damaged.

When installing the signal converter, select a location in the vehicle that allows you to attach it firmly into place using screws. The installation location should be such that the signal converter does not get in the way of the driver and cannot endanger the occupants in the event of the vehicle suddenly coming to a halt, for instance, during an emergency stop.

Supplied equipment

The signal converter is supplied with all the parts listed below. Please check that the range of parts supplied with your device is complete. If one of the listed parts is missing, please contact your dealer immediately.

- Signal Converter
- Connecting cable
- RGB adapter
- Installation and operating instructions

Signal Converter

7 607 003 550



Connecting cable



RGB adapter



Installation

Note:

- **Before connecting the monitors to your signal converter, check that the +/- and the switched positive are connected properly. After connecting the +/- and the switched positive, the red LED on the signal converter must light up!**

Positive connection

Connect the fuse holder (5A fuse) to protect the positive cable (3) (see Fig. 1). The fuse holder must be connected to the positive terminal at a distance of max. 30 cm from the vehicle battery (if necessary, drill a hole in the bulkhead use the appropriate cable grommets).

Switched positive

Connect the switched positive cable (4) (see Fig. 1) to the switched positive output () of the main system unit (e.g. car radio or navigation unit). If connecting to the vehicle's terminal 15, you must connect a fuse holder (1A fuse) to protect the switched positive cable (4) (see Fig. 1). The fuse holder must be connected to the positive terminal at a distance of max. 30 cm from the vehicle battery (if necessary, drill a hole in the bulkhead and use the appropriate cable grommets).

Negative (earth) connection

Attach the negative cable (1) (see Fig. 1) directly to the vehicle body using a screw. Scratch the surface down to the bare metal at the point at which the earth contact is made and apply graphite grease (important for a good earth connection).

INSTALLATION

- If the installation requires holes to be drilled or any other changes to the vehicle to be made, please contact a specialist workshop in your area.

Note:

You cannot display PAL video on the wide vision TV monitor using the RGB input.

In this case, the PAL video signal must be connected directly to the AV input of the wide vision TV monitor.

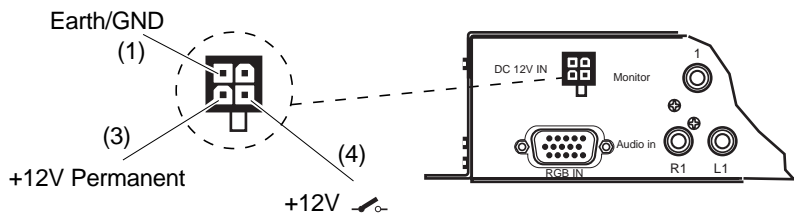
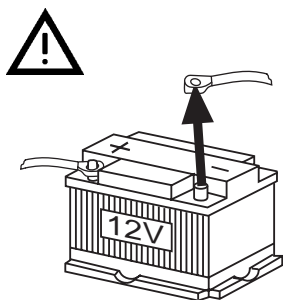
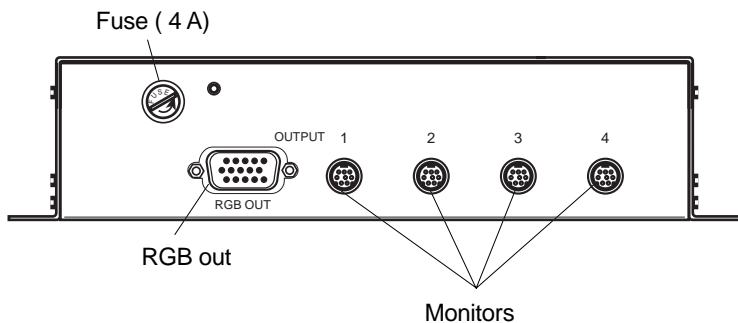
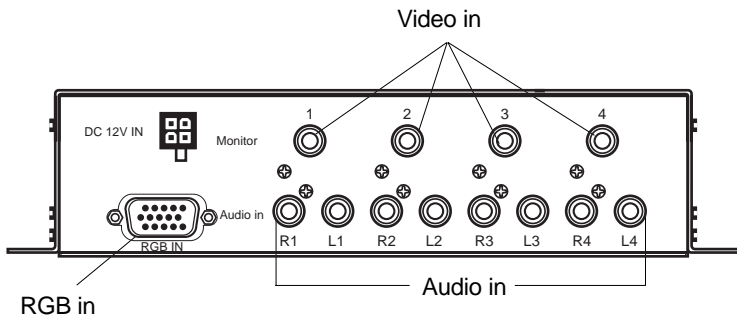
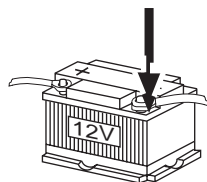
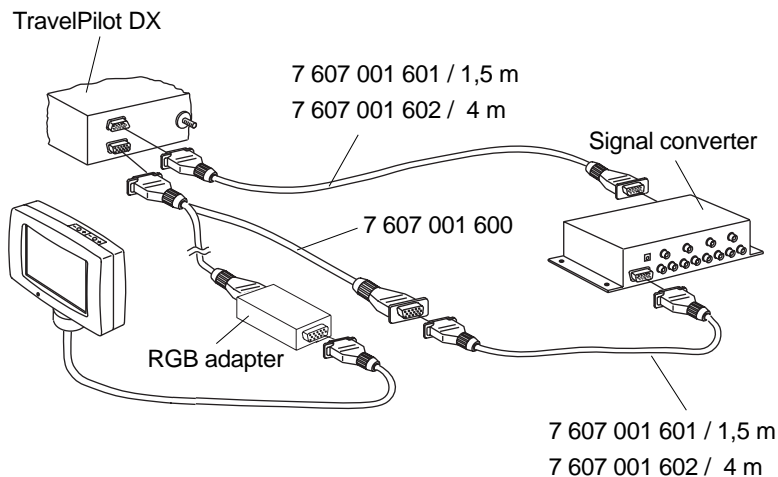


Fig. 1

INSTALLATION

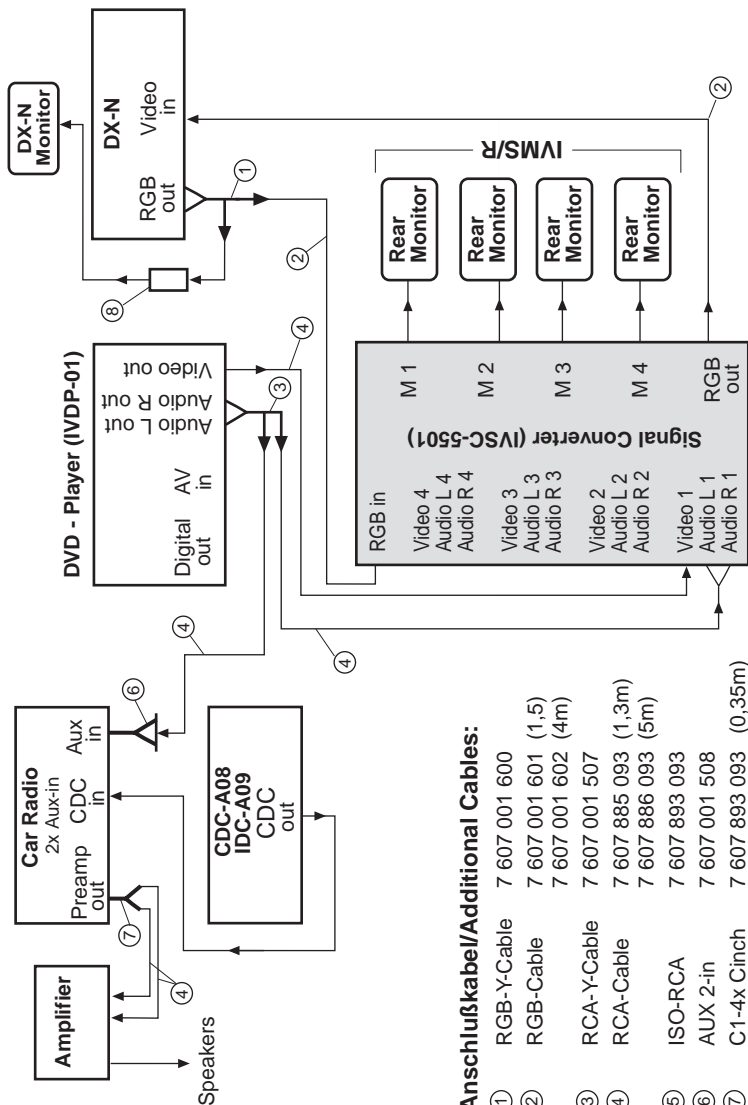


CONNECTION DIAGRAM



CONNECTION DIAGRAM

Various components connected as an example



Anschlusskabel/Additional Cables:

- | | | |
|---|-------------|--|
| ① | RGB-Y-Cable | 7 607 001 600 |
| ② | RGB-Cable | 7 607 001 601 (1,5)
7 607 001 602 (4m) |
| ③ | RCA-Y-Cable | 7 607 001 507 |
| ④ | RCA-Cable | 7 607 885 093 (1,3m)
7 607 886 093 (5m) |
| ⑤ | ISO-RCA | 7 607 893 093 |
| ⑥ | AUX 2-in | 7 607 001 508 |
| ⑦ | C1-4x Cinch | 7 607 893 093 (0,35m) |
| ⑧ | RGB-Adapter | |

Features

4 audio/video inputs:

Cinch jacks

1 RGB input:

15-pin Sub-D socket

4 monitor outputs:

CCVS 50Hz, 8-pin jack, with power, earth, switched positive

1 RGB output:

15-pin Sub-D plug-type connector

Conversion:

RGB (NTSC) 60 Hz in CCVS 50Hz
CCVS 50Hz in RGB (NTSC) 60 Hz

Power input:

4-pin plug-type connector

Metal housing

Specifications

Video input:

Composite Video, 0.7 ~ 2.0 Vpp,
75 Ohm

Audio input:

0 ~ 0.3 Vrms, 10-20 kHz

RGB input (video signal, internal resistance 100 ohm):

min -1.0 / max 1.0 Vdc
typical 0.7 / max 2.0 Vpp

RGB input (composite-sync, internal resistance 100 ohm):

min -1.0 / max 1.0 Vdc
min 0.7 / typical 1.0 / max 2.0 Vpp

Video output:

Composite Video, 0.7 ~ 2.0 Vp-p,
75 Ohm

Audio output:

0 ~ 0.3 Vrms, 10-20 kHz

RGB output (video signal, internal resistance 100 ohm):

min -1.0 / max 1.0 Vdc
typical 0.7 / max 2.0 Vpp

RGB output (composite sync, internal resistance 100 ohm):

min -1.0 / max 1.0 Vdc
min 0.7 / typical 1.0 / max 2.0 Vpp

Power supply:

DC 12V, +/- 10%, max. 5A

Service-Nummern / Service numbers / Numéros du service après-vente / Numeri del servizio di assistenza / Servicenummers / Telefonnummer för service / Números de servicio / Números de serviço / Servicenumre

Country:	Phone:	Fax:	WWW:
Germany	(D) 0180-5000225	05121-49 4002	http://www.blaupunkt.com
Austria	(A) 01-610 390	01-610 393 91	
Belgium	(B) 02-525 5454	02-525 5263	
Denmark	(DK) 44 898 360	44-898 644	
Finland	(FIN) 09-435 991	09-435 99236	
France	(F) 01-4010 7007	01-4010 7320	
Great Britain	(GB) 01-89583 8880	01-89583 8394	
Greece	(GR) 0800-550 6550	01-576 9473	
Ireland	(IRL) 01-4149400	01-4598830	
Italy	(I) 02-369 6331	02-369 6464	
Luxembourg	(L) 40 4078	40 2085	
Netherland	(NL) 023-565 6348	023-565 6331	
Norway	(N) 66-817 000	66-817 157	
Portugal	(P) 01-2185 00144	01-2185 11111	
Spain	(E) 902-120234	916-467952	
Sweden	(S) 08-7501500	08-7501810	
Switzerland	(CH) 01-8471644	01-8471650	
Czech. Rep.	(CZ) 02-6130 0441	02-6130 0514	
Hungary	(H) 01-333 9575	01-324 8756	
Poland	(PL) 0800-118922	022-8771260	
Turkey	(TR) 0212-3350677	0212-3460040	
USA	(USA) 800-2662528	708-6817188	
Brasil (Mercosur)	(BR) +55-19 3745 2769	+55-19 3745 2773	
Malaysia (Asia Pacific)	(MAL) +604-6382 474	+604-6413 640	

Blaupunkt GmbH

